



SELF-PRIMING PUMPS

- Complete pumps & rotating assemblies available
- Available in 2"(T), 3"(ST), 4"(ST), 6" (ST), 8" (ST), & 10" (ST)
- Constructed in DI or CD4 material
- Cylindrical bore and Cutter-style wear plates available
- ST rotating assemblies are compatible with T casings and cover plates
- ST design allows for impeller clearance adjustments from the cover plate assembly
- ST complete pumps are dimensionally identical to Super T pumps for easy replacement installation



1113 Howard Ave, Houston, TX 77536

281.479.5000 | Sales@CURFLO.com | www.CURFLO.com



2" T DATA AND CURVE

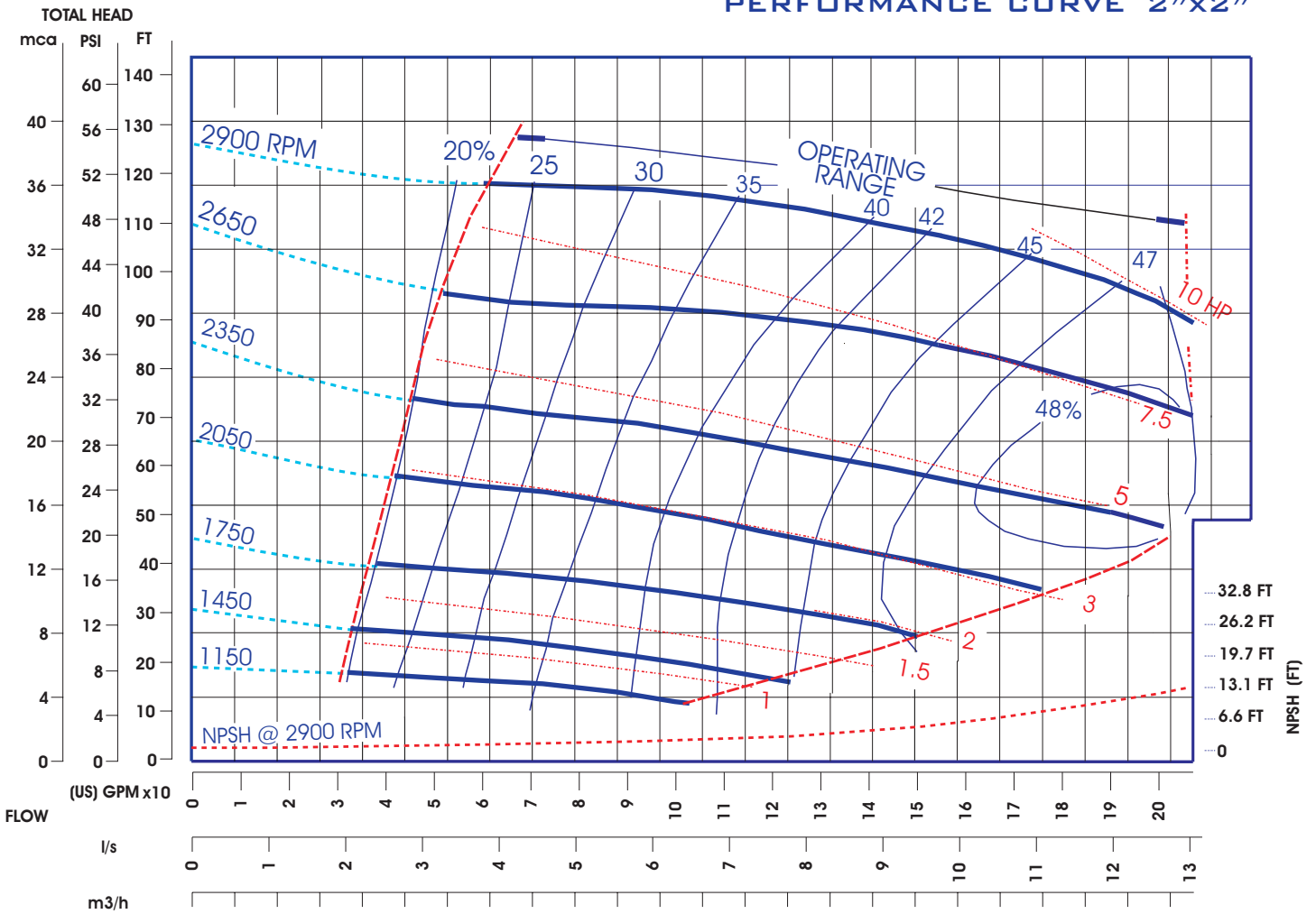
2" Pump Data

- Net Weight - 205 LBS
- Impeller Diameter - 6-1/4"
- R.P.M. - From 1150rpm To 2,900rpm
- Max Solids - 1-3/4"

Self-Priming Data

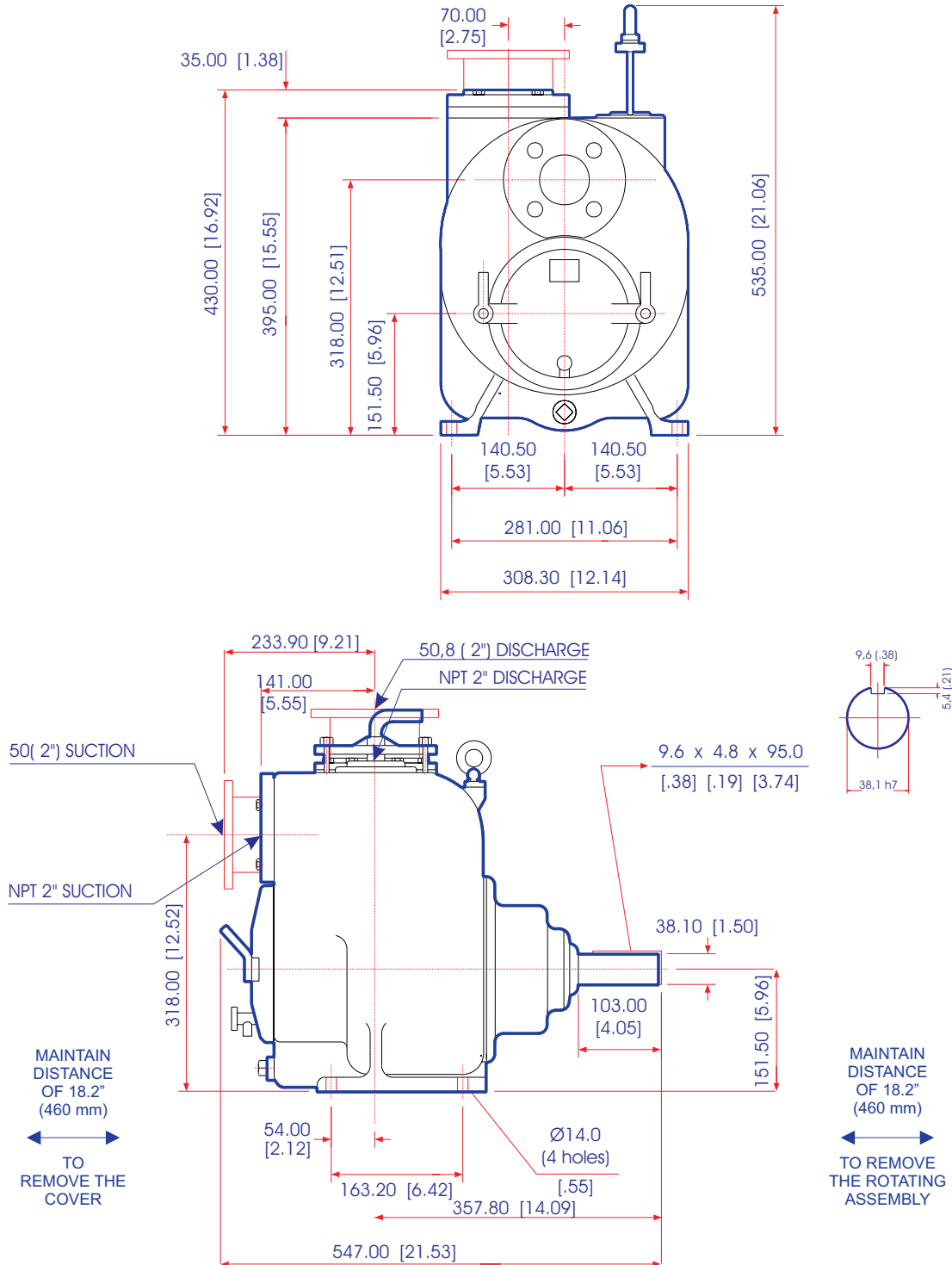
- | | | |
|------------------|---|------------------|
| 1,150 RPM (24ft) | - | 1,450 RPM (25ft) |
| 1,750 RPM (25ft) | - | 2,050 RPM (25ft) |
| 2,350 RPM (25ft) | - | 2,650 RPM (25ft) |
| 2,650 RPM (25ft) | - | 2,900 RPM (25ft) |

PERFORMANCE CURVE 2"x2"



CURFLO

2" T GA INFORMATION





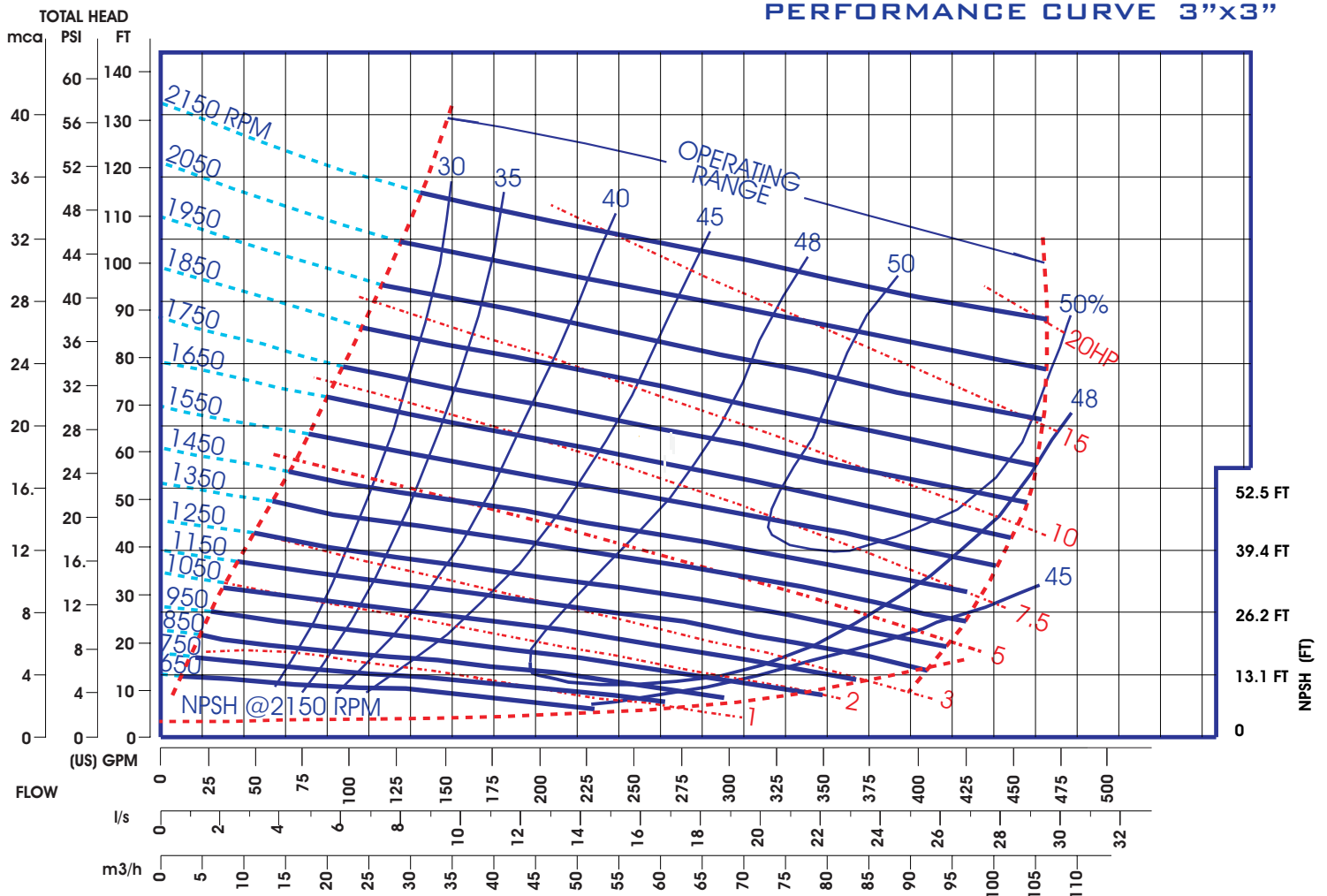
3" ST DATA AND CURVE

3" Pump Data

- Net Weight - 400 LBS
- Impeller Diameter - 8-3/4"
- R.P.M. - From 650rpm To 2,150rpm
- Max Solids - 2-1/2"

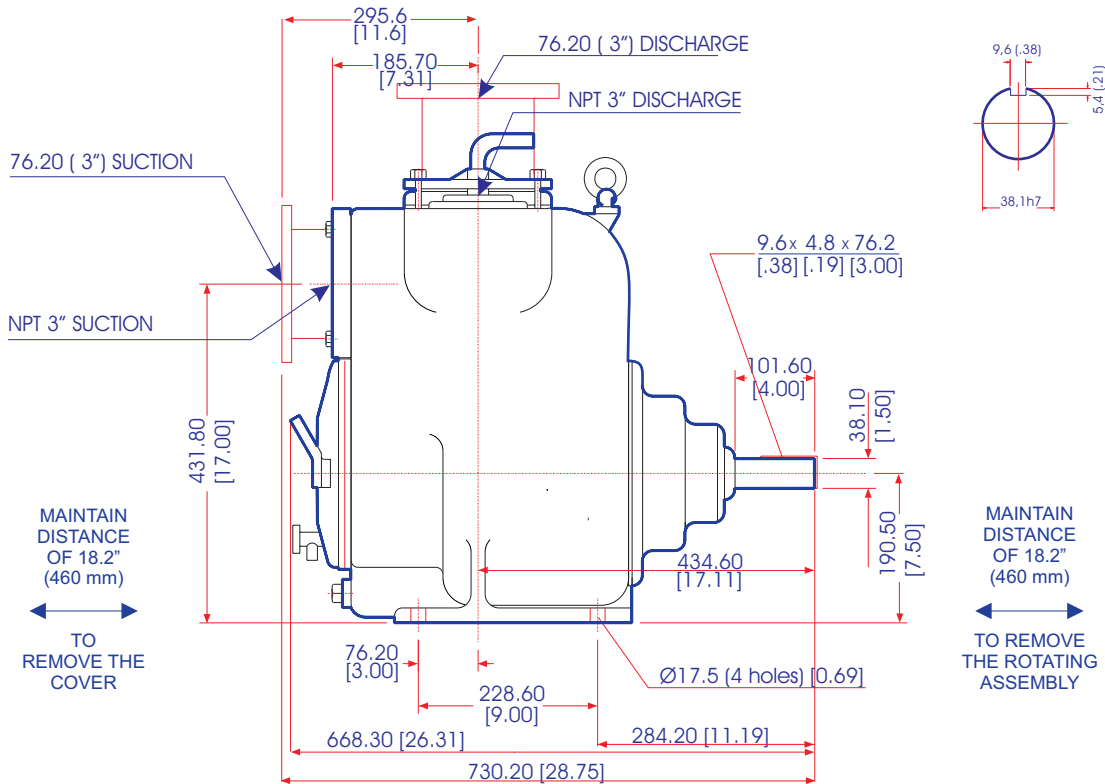
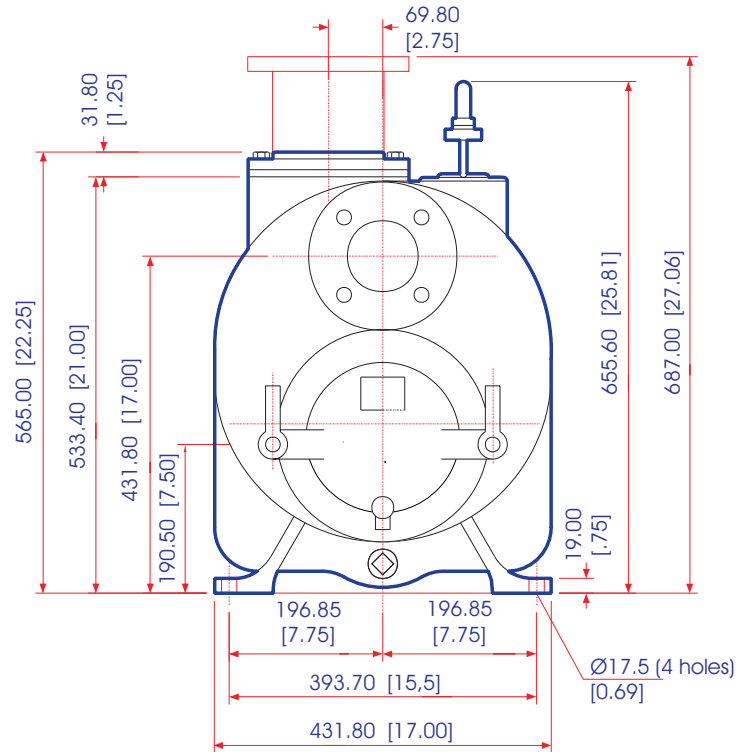
Self-Priming Data

650 RPM (5ft)	-	750 RPM (6ft)
850 RPM (8ft)	-	950 RPM (10ft)
1,050 RPM (13ft)	-	1,150 RPM (16ft)
1,250 RPM (18ft)	-	1,350 RPM (19ft)
1,450 RPM (21ft)	-	1,550 RPM (21ft)
1,650 RPM (22ft)	-	1,750 RPM (22ft)
1,850 RPM (25ft)	-	1,950 RPM (25ft)
2,050 RPM (25ft)	-	2,150 RPM (25ft)



CURFLO

3" ST GA INFORMATION





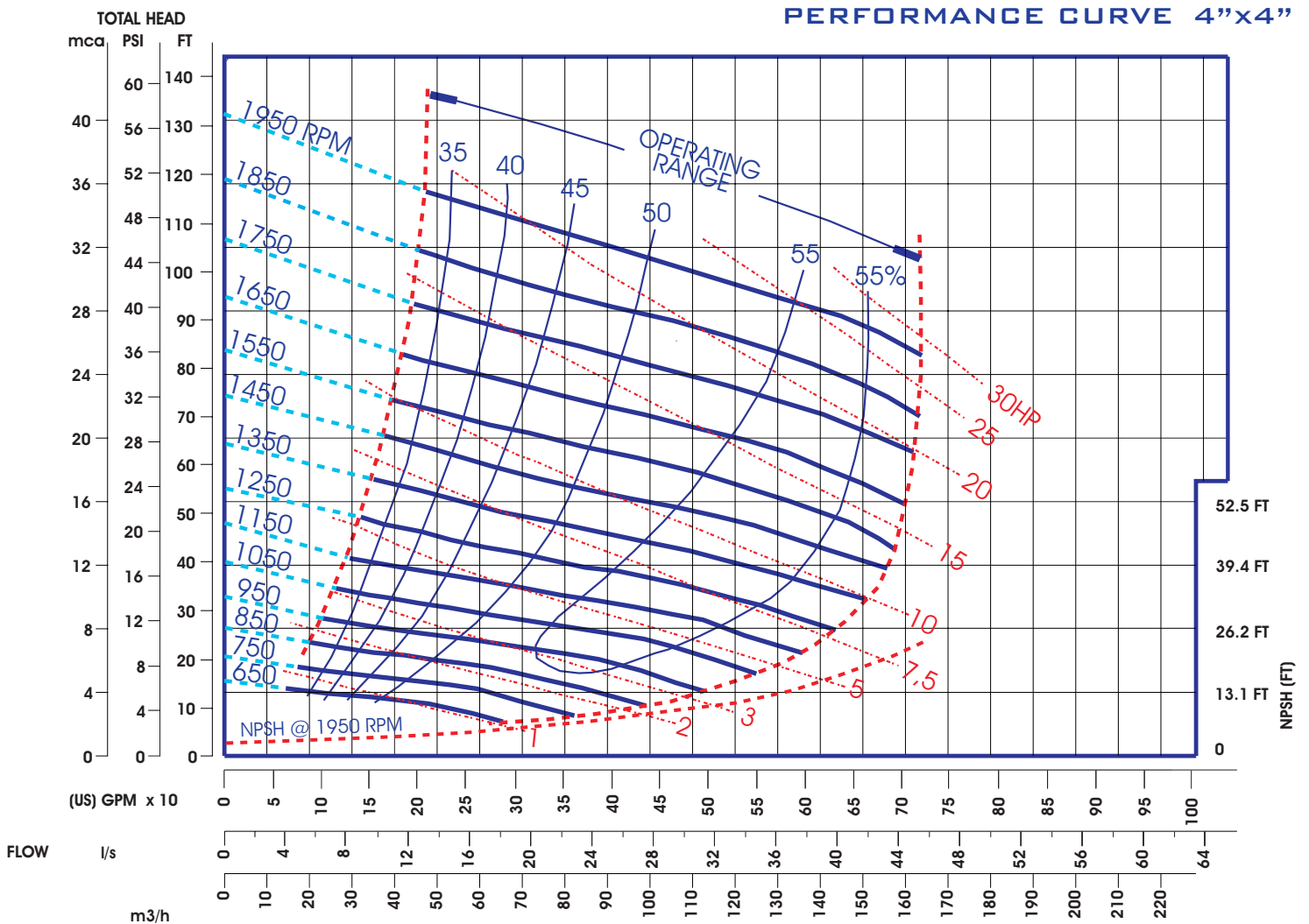
4" ST DATA AND CURVE

4" Pump Data

- Net Weight - 600 LBS
- Impeller Diameter - 9-3/4"
- R.P.M. - From 650rpm To 1,950rpm
- Max Solids - 3"

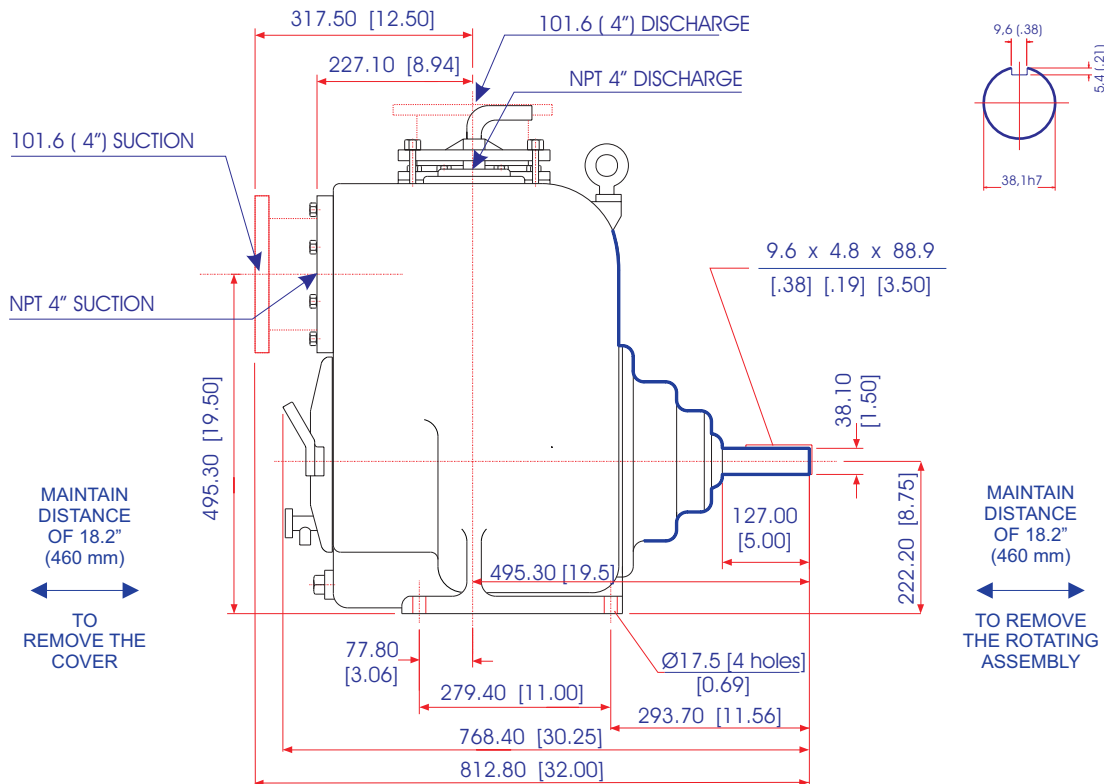
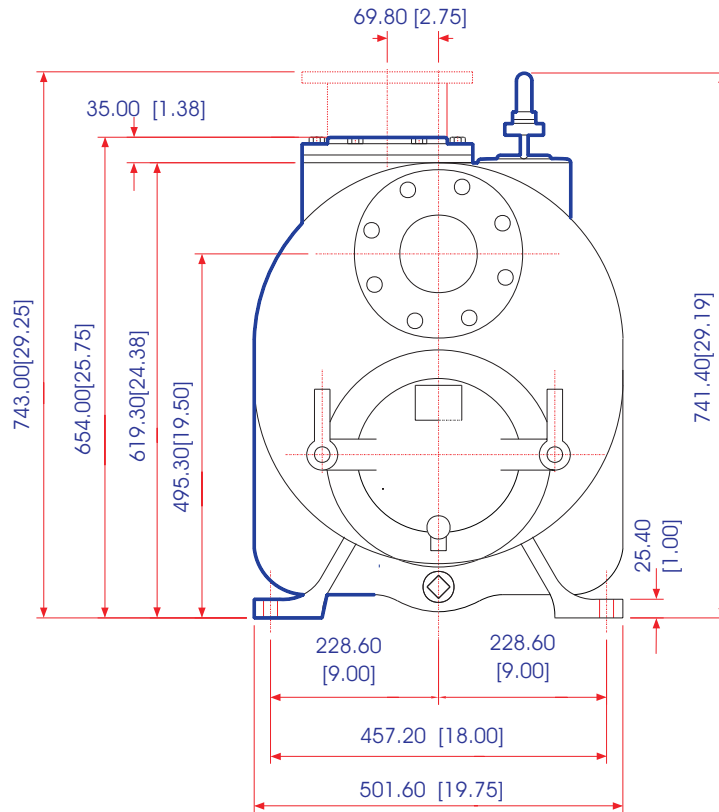
Self-Priming Data

650 RPM (5ft)	-	750 RPM (8ft)
850 RPM (16ft)	-	950 RPM (19ft)
1,050 RPM (22ft)	-	1,150 RPM (24ft)
1,250 RPM (25ft)	-	1,350 RPM (25ft)
1,450 RPM (25ft)	-	1,550 RPM (25ft)
1,650 RPM (25ft)	-	1,750 RPM (25ft)
1,850 RPM (25ft)	-	1,950 RPM (25ft)



CURFLO

4" ST GA INFORMATION





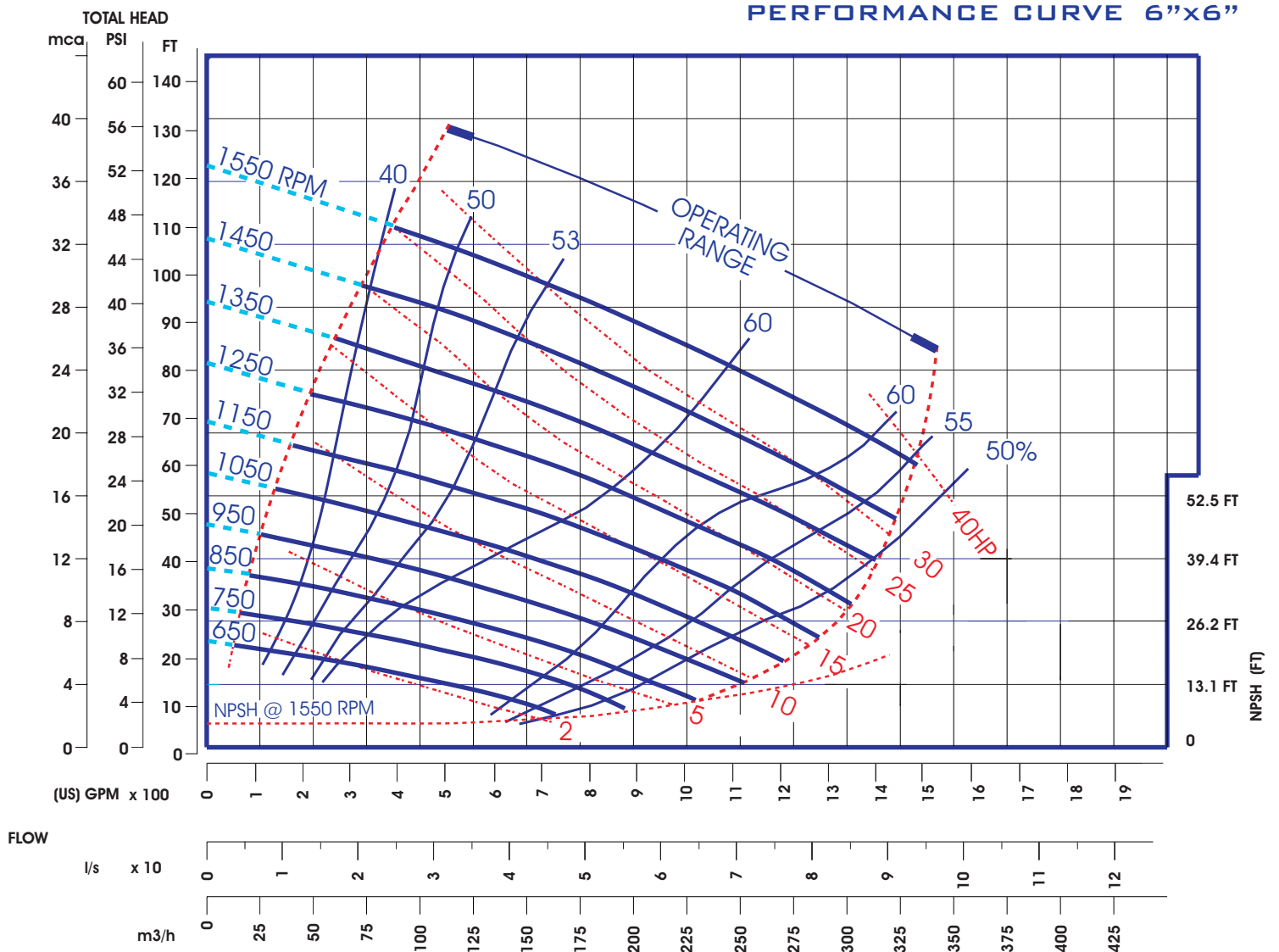
6" ST DATA AND CURVE

6" Pump Data

- Net Weight - **800 LBS**
- Impeller Diameter - **12-3/8"**
- R.P.M. - **From 650rpm To 1,550rpm**
- Max Solids - **3"**
- CURFLO 6" Pumps Are Supplied
With T Casing/Plate Assembly And ST
Rotating Assembly

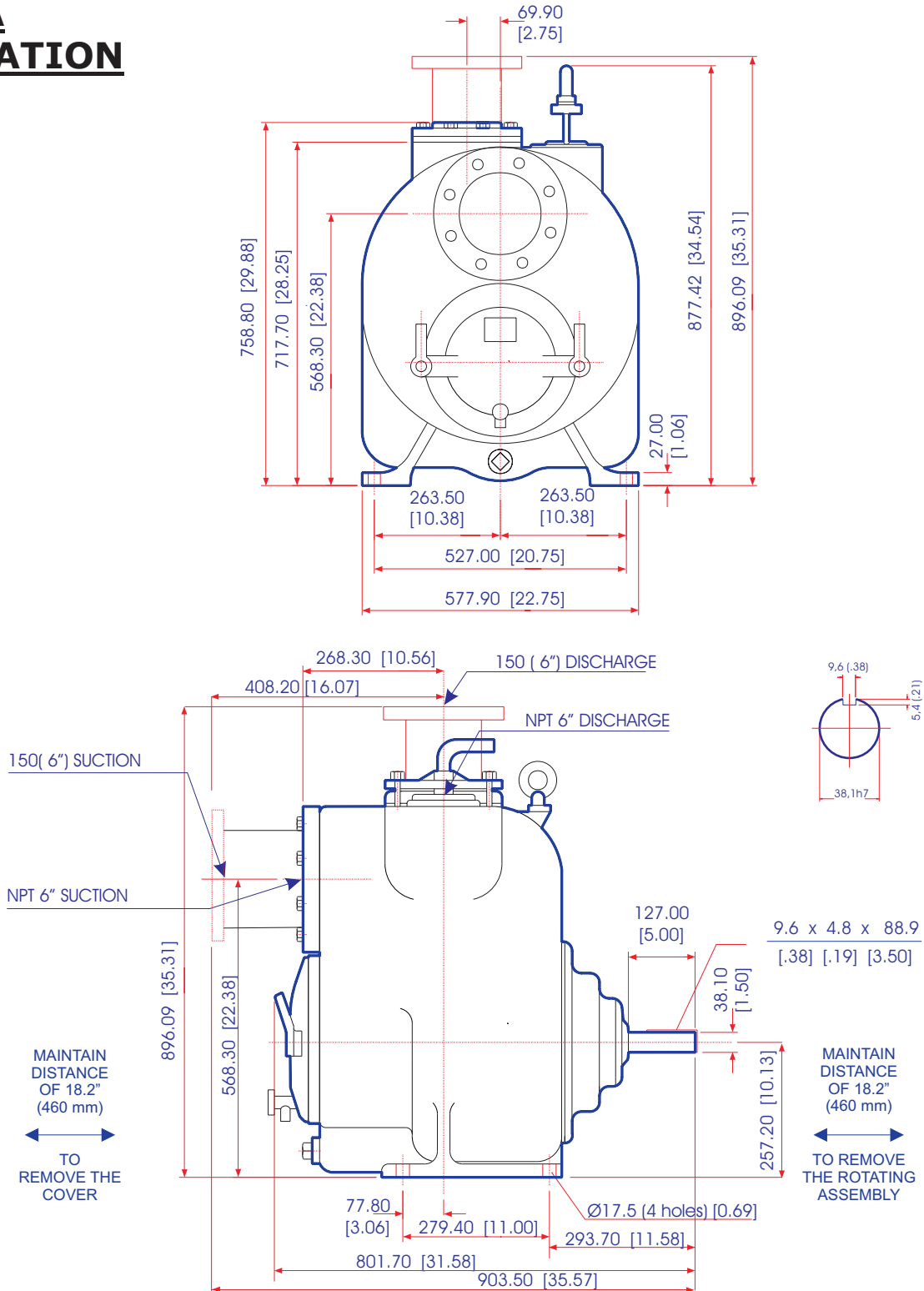
Self-Priming Data

650 RPM (8ft)	-	750 RPM (9ft)
850 RPM (12ft)	-	950 RPM (14ft)
1,050 RPM (18ft)	-	1,150 RPM (21ft)
1,250 RPM (25ft)	-	1,350 RPM (22ft)
1,450 RPM (23ft)	-	1,550 RPM (25ft)



CURFLO

6" ST GA INFORMATION





8" ST DATA AND CURVE

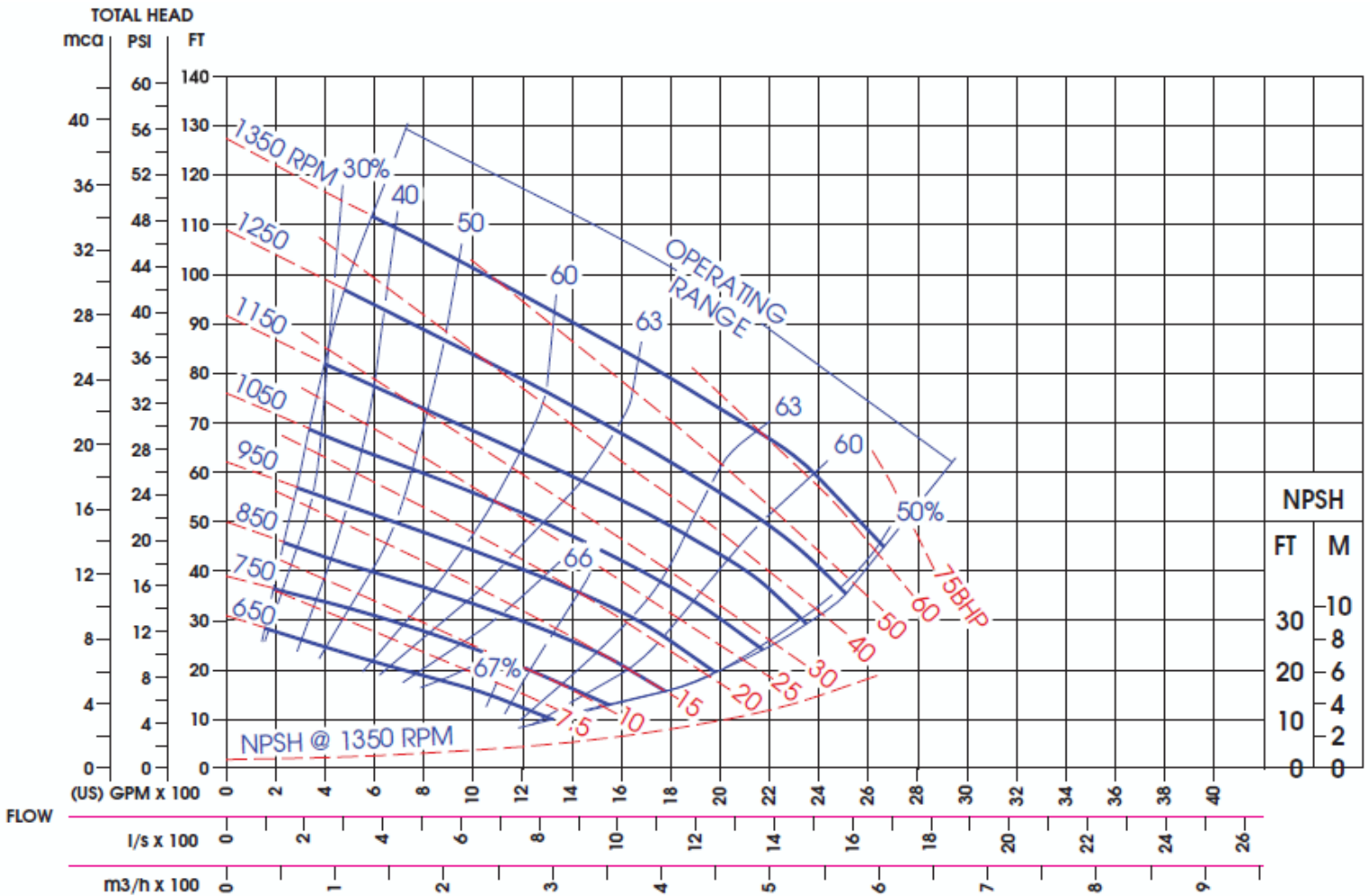
8" Pump Data

- Net Weight - 1400 LBS
- Impeller Diameter - 14-3/4"
- R.P.M. - From 650rpm To 1,550rpm
- Max Solids - 3"
- CURFLO 8" Pumps Are Supplied With T Casing/Plate Assembly And ST Rotating Assembly

Self-Priming Data

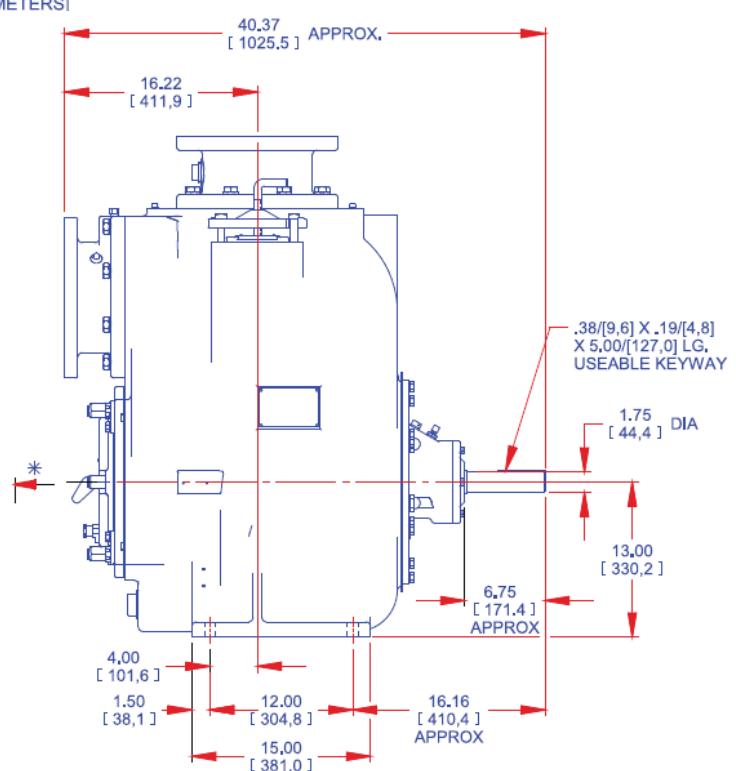
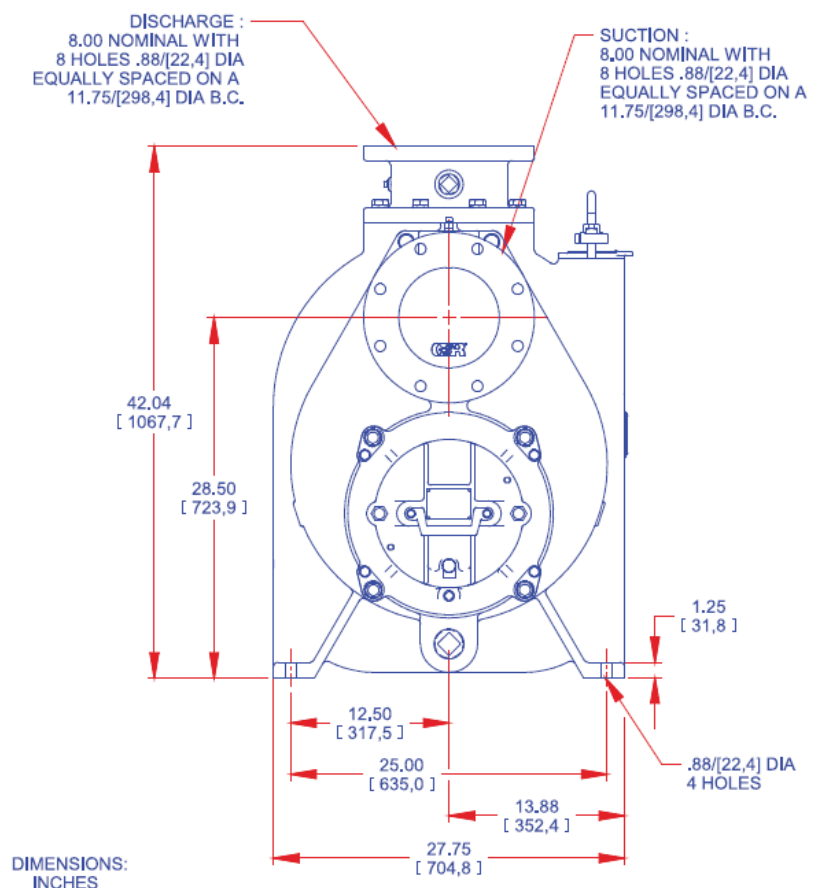
650 RPM (8ft)	-	750 RPM (12ft)
850 RPM (145t)	-	950 RPM (17ft)
1,050 RPM (20ft)	-	1,150 RPM (21ft)
1,250 RPM (22ft)	-	1,350 RPM (23ft)
1,450 RPM (23ft)	-	1,550 RPM (24ft)

PERFORMANCE CURVE "x"



CURFLO

8" ST GA INFORMATION



CURFLO

10" ST DATA AND CURVE

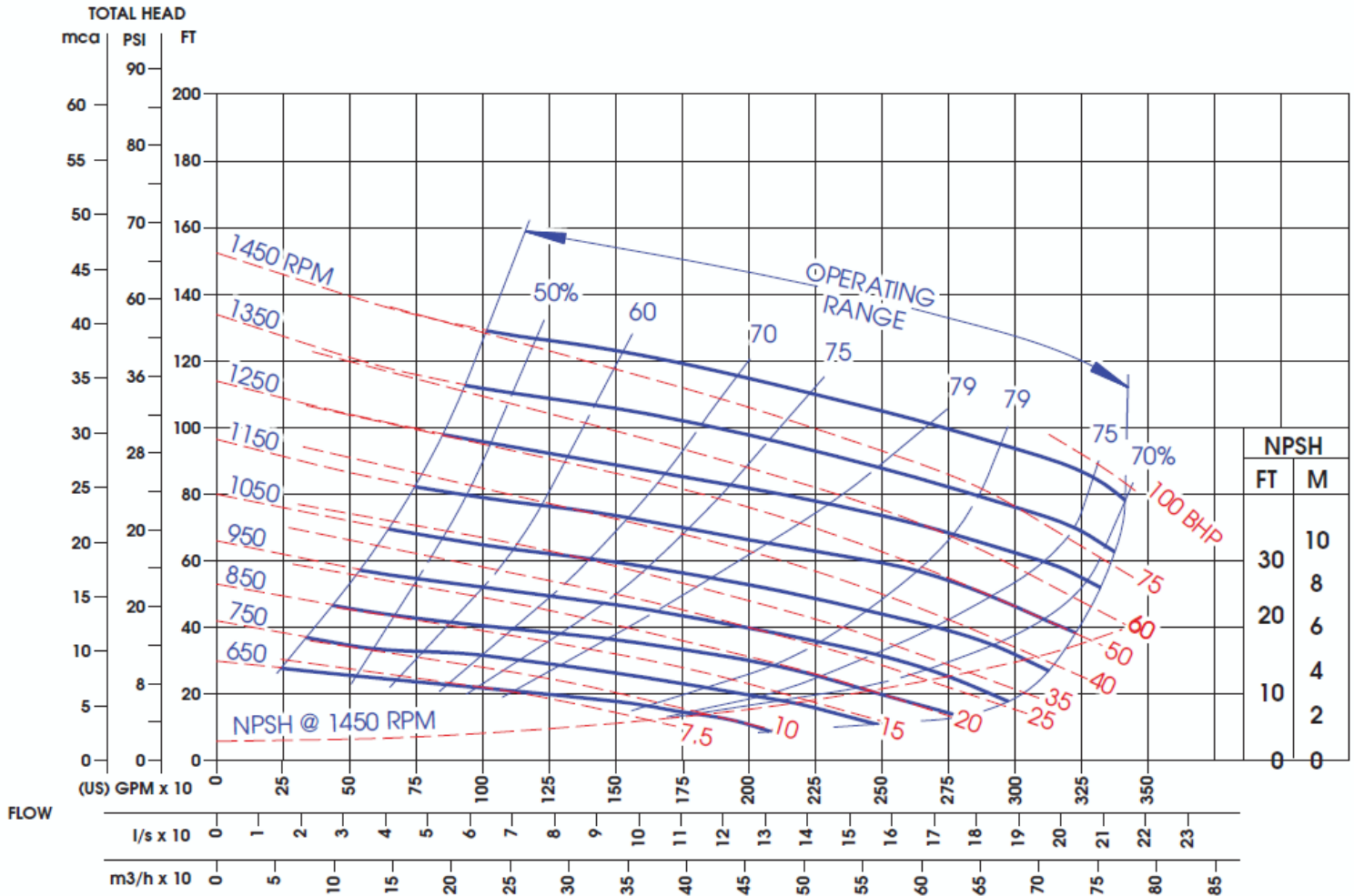
10" Pump Data

- Net Weight - **1600 LBS**
- Impeller Diameter - **14-3/4"**
- R.P.M. - **From 650rpm To 1,450rpm**
- Max Solids - **3"**
- CURFLO 10" Pumps Are Supplied With **T Casing/Plate Assembly And ST Rotating Assembly**

Self-Priming Data

650 RPM (7ft)	-	750 RPM (11ft)
850 RPM (14ft)	-	950 RPM (17ft)
1,050 RPM (18ft)	-	1,150 RPM (18ft)
1,250 RPM (19ft)	-	1,450 RPM (22ft)

PERFORMANCE CURVE 10" x 10"



CURFLO

10" ST GA INFORMATION

